

**CEMENT CORPORATION OF INDIA LIMITED**

(A Government of India Enterprise)

**AN ISO 9001:2015 CERTIFIED COMPANY**

TANDUR CEMENT FACTORY

PO: CCI-TANDUR - 501 158,

VIKARABAD Dist, (Telangana State)

Phone No.: 08411-247221

Fax No. : 08411-247243

GSTIN No.: 36AAACC0949B1Z5

CIN: U74899DL1965GOI004322

ECC No.: AAA CC 0949 BXM 006

[mm\\_tdo@ccilttd.in](mailto:mm_tdo@ccilttd.in), [ccimm\\_tdo@rediffmail.com](mailto:ccimm_tdo@rediffmail.com)

-----  
Ref: TCF/MM/3017/22/28

Date: 27.06.2022

Sub:-Limited Tender for Supply of Intermediate Gear for HP Pump – Reg.

--oOo--

Interested parties may send your offer by POST in sealed covers containing two separate covers inside i) Credentials & Supporting documents and (ii) Commercial cum Price bid which should reach us before due date. If, the credentials are found suitable, the Techno-commercial bid shall be opened. The decision of the Corporation is final.

**HOD (MM)**

**CEMENT CORPORATION OF INDIA LIMITED**  
(A Government of India Enterprise)  
**AN ISO 9001:2015 CERTIFIED COMPANY**  
TANDUR CEMENT FACTORY  
PO: CCI-TANDUR - 501 158,  
VIKARABAD Dist, (Telangana State)

Phone No.: 08411-247221  
Fax No. : 08411-247243  
GSTIN No.: 36AAACC0949B1Z5  
CIN: U74899DL1965GOI004322  
ECC No.: AAA CC 0949 BXM 006  
[mm\\_tdo@ccilttd.in](mailto:mm_tdo@ccilttd.in), [cimm\\_tdo@rediffmail.com](mailto:cimm_tdo@rediffmail.com)

**SPEED POST**

Ref: TCF/MM/3017/22/28

**REMINDER – I**

DATE: 27.06.2022

Dear Sir(s),

Sub: - Our Enquiry No. TCF/MM/3017/22/28, Dt.10.05.2022, Due on 31.05.2022

-: oOo :-

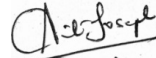
Your quotation against our above enquiry for the following items has not been received by us.

Sl.No.	Description of Item	Quantity
	<b>INTERMEDIATE GEARS FOR HP PUMP OF VRM GEAR BOX Back System</b> (As per Drg.No.C,CCI-TDR/RM/2A.03/057, Rev 'A' which was already sent along with original enquiry)	
<b>01)</b>	<b>Drive Gear, Pt.No.1</b>	<b>02</b>
<b>02)</b>	<b>Driven Gear, Pt.No.2</b>	<b>08</b>
<b>03)</b>	<b>Shaft, Pt.No.3</b>	<b>08</b>
	<b>(One Set Sl.No.1 – 1 No., Sl.No.2 – 4 Nos., Sl.No.3 – 4 Nos.)</b>	

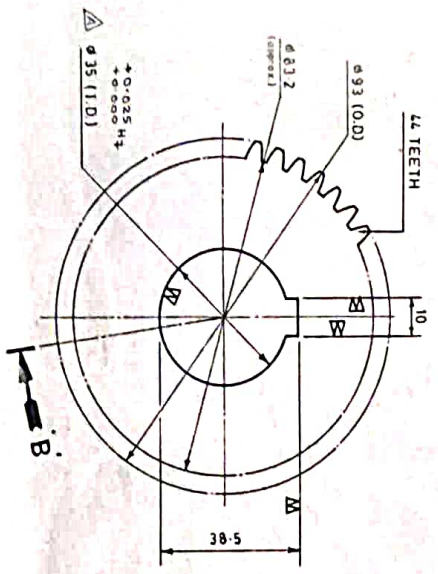
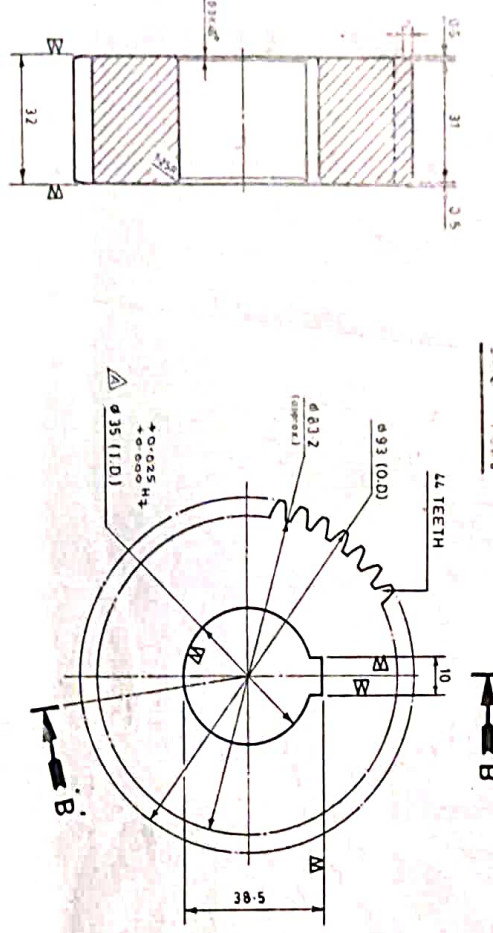
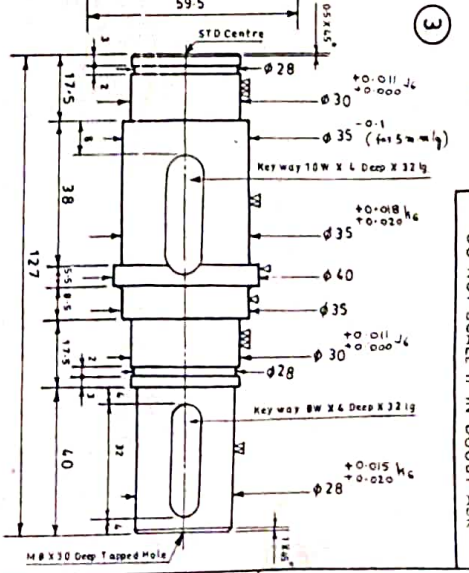
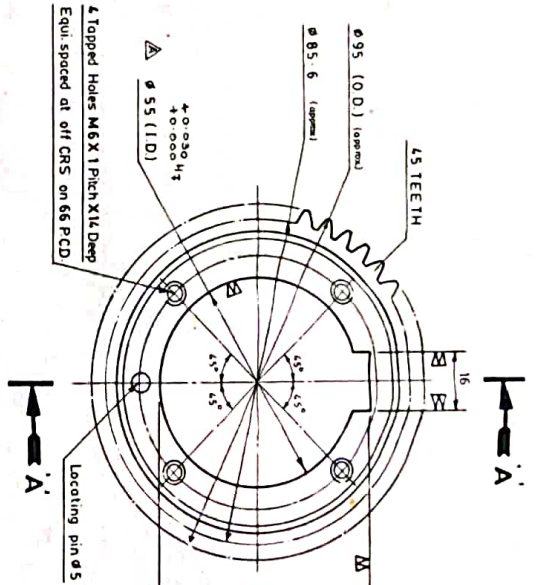
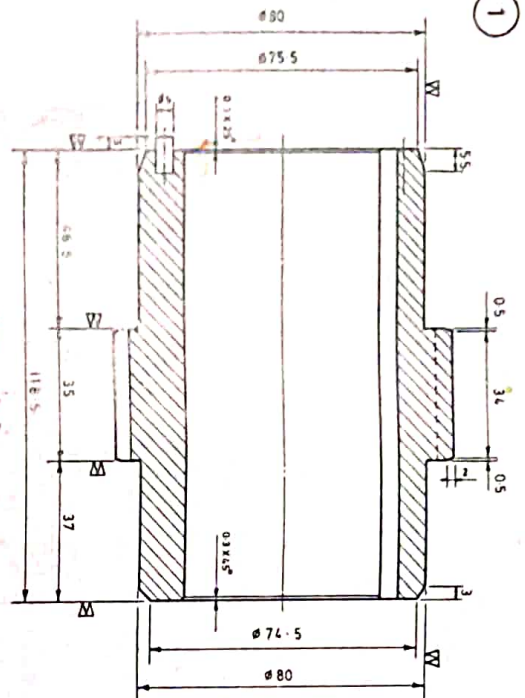
As a special case we are hereby extending the due date up to **19.07.2022**. You are requested to kindly send your quotation now, so as to reach us on or before the due date and time extended as above.

Thanking You,

Yours faithfully,  
for CEMENT CORPORATION OF INDIA LIMITED,



**AUTHORISED SIGNATORY**



**1) DRIVE GEAR**  
a) Material : EN - 19  
b) Hardness : 286 - 300 Bhn  
c) Heat Treatment : Oil quenched

**2) DRIVEN GEAR**  
a) Material : EN - 24  
b) Hardness : 255 - 280 Bhn  
c) Heat Treatment : Normalizing

NOTE :- Tolerances as per IS 919-1963 & IS 2709-1962

PART NO.	DESCRIPTION	MATERIAL	QTY	NO. CHG.	REMARKS
1	DRIVE GEAR	En - 19	2-730	1	
2	DRIVEN GEAR	En - 24	1-290	4	
3	Shaft for Drive Gear	En - 8		4	

**PARTS LIST**

REV. NO.	DETAILS	BY/DA	CHKD. BY	APPROV.
A	Part No. 2 added and 3. ... Part No. 18, 2 added and 3. ... Part No. 4 added and 5. ...	...	...	...

MACHINING SYMBOLS	ROUGH	MEDIUM	FINE
GENERAL NOTES:-	<p>1. All dimensions are in millimeters unless otherwise specified.</p> <p>2. Welding symbols as per IS - 813.</p> <p>3. Stamping or Marking on Working face to be avoided where possible.</p> <p>4. This drawing is the property of C. C. I. LTD. and must not be copied nor made known to third party without written consent of CEMENT CORPORATION OF INDIA LIMITED.</p>		

**GENERAL TOLERANCES FOR THE DIMENSIONS UNLESS OTHERWISE SPECIFIED**

0 - 100 ± 0.2	ANGLES	Remove all the sharp corners unless stated.
101 - 250 ± 0.3	O. 90 ± 1 mm/m	
251 - 400 ± 0.4	OTHERS ± 15 min.	
401 - 600 ± 0.5		
601 - 1000 ± 0.75		
1001 - 2000 ± 1.2		
ABOVE 2000 ± 1.3		

**CGI** CEMENT CORPORATION OF INDIA LIMITED  
CCI - TANDUR - 501158 (A.P.) INDIA

TITLE: **INTERMEDIATE GEARS FOR H.P PUMP OF IOESCHE MILL GEAR BOX**

DRG No.: C. CCI - TDR/RM/2A.03/057