

**CEMENT CORPORATION OF INDIA LIMITED**

(A Government of India Enterprise)

**AN ISO 9001:2015 CERTIFIED COMPANY**

TANDUR CEMENT FACTORY

PO: CCI-TANDUR - 501 158,

VIKARABAD Dist, (Telangana State)

Phone No.: 08411-247221

Fax No. : 08411-247243

GSTIN No.: 36AAACC0949B1Z5

CIN: U74899DL1965GOI004322

ECC No.: AAA CC 0949 BXM 006

[mm\\_tdo@ccilttd.in](mailto:mm_tdo@ccilttd.in), [ccimm\\_tdo@rediffmail.com](mailto:ccimm_tdo@rediffmail.com)

Ref: TCF/MM/3206/23/**54**

Date: 05.02.2024

Sub:-Limited Tender for Supply of Rubber Spouts – Reg.

-:oOo:-

Interested parties may send your offer by Post in sealed covers containing two separate covers inside i) Credentials & Supporting documents and (ii) Commercial cum Price bid which should reach us before due date. If, the credentials are found suitable, the Techno-commercial bid shall be opened. The decision of the Corporation is final.

**HOD (MM)**

**CEMENT CORPORATION OF INDIA LIMITED**  
(A Government of India Enterprise)  
**AN ISO 9001:2015 CERTIFIED COMPANY**  
TANDUR CEMENT FACTORY  
PO: CCI-TANDUR - 501 158,  
VIKARABAD Dist, (Telangana State)

**F02 (PUR-P-02)**

Phone No.: 08411-247221

Fax No. : 08411-247243

GSTIN No.: 36AAACC0949B1Z5

CIN: U74899DL1965GOI004322

ECC No.: AAA CC 0949 BXM 006

[mm\\_tdo@ccilttd.in](mailto:mm_tdo@ccilttd.in), [cimm\\_tdo@rediffmail.com](mailto:cimm_tdo@rediffmail.com)

**SPEED POST**

Tender Enquiry No: <b>TCF/MM/3206/23/54</b>	Date : <b>05.02.2024</b>
	Due Date: <b>27.02.2024</b>
	<b>NOTE: PLEASE SEND YOUR OFFER BY POST ONLY</b>
	<b>ATTENTION</b>
	<b>INDICATE TENDER NO. &amp; DUE DT. ON YOUR ENVELOP WITHOUT FAIL</b>
	<b>YOUR OFFER SHOULD BE VALID FOR MINIMUM 60 DAYS</b>

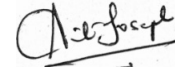
Dear Sir(s),

Please submit your most Competitive offer for the following items, as per terms and conditions mentioned in the enclosed Annexure. You may depute your representative, if wish, for attending the tender opening which will be held at 3.30 P.M. on the next day of the above due date in the Material Management Department.

Sl. No.	Description	Quantity	Unit Rate	Amount
01)	<b>Spares for Packer Machine, L&amp;T Make, Model: RU-12</b> <b>Rubber Spout for RU-12 Packer Machine, As per enclosed Drg.No.D,CCI-TDR/PP/19.08/009</b> <b>Make: JS/NOBLE/SPAREAGE ONLY</b> <b>NOTE:</b> -The Unit rate shall include all the elements like Basic Rate Freight & any other charges, excluding GST -The L-1 Rate will be arrived considering item wise landed cost of the material after GST input credit etc	660 Nos.		

Encl: as above

for CEMENT CORPORATION OF INDIA LIMITED,



**AUTHORISED SIGNATORY**

(Contd....2)

**:: 02 ::**

- 01) **GENERAL**
- a) **PRICES:** FOR destination up to CCI-Karankote on door delivery basis. Rate should be quoted including freight charges and any other charges.
- b) **PACKING & FORWARDING:** To be included in the Unit rate
- c) Item shall comply energy efficiency norms as per ISO 50001:2018
- d) **DELIVERY:** 30 days from the date of order
- e) Please furnish GST percentage, GSTIN & HSN Code of the material in the offer.
- 02) Confirm if price are as per DGS & D Rate.
- 03) Confirm prices are as applicable to Govt. Public – Sectors.
- 04) **PAYMENT:** 100% within 30 days from the date of receipt of material.
- 05) Transit insurance to be arranged by the Consignor/Supplier
- 06) Prices shall be firm till the completion of supplies.
- 07) Please indicate your GST No, in the absence of this information your firm will be treated as a Un-registered firm and your prices will be loaded accordingly.
- ~~08) **EARNEST MONEY DEPOSIT:** If the value of the tender is more than Rs.5.00 Lac, EMD@ 2% by way of RTGS/NEFT only has to be furnished along with offer.~~
- ~~09) **SECURITY DEPOSIT:** In the event of placement of Purchase order, you have to furnish Security Deposit at the rate of 5% of the total order value in the form of Cash/DD or Bank Guarantee from any Nationalized Bank within 15 days from the date of orders. This is applicable for order having value more than ₹ 5.00 Lakh for Orders having value less than this amount, the clause is not applicable).~~
- 10) **DELAYED DELIVERY CLAUSE:** In case of any delay in the delivery (a) You will be charged with the Liquidated damages the rate of ½% of the value of the undelivered portion per week or part thereof subjected to a maximum of 5 % (b) Also we may resort to risk purchase clause given in Clause No.11.
- 11) **RISK PURCHASE CLAUSE:** In the event of delay in supplies or failure to supply the material, we may resort to the procurement of material from elsewhere at your risk and cost.
- ARBITRATION:** All disputes in case value exceeds ₹50,000/- will be referred to Arbitration as per Indian Arbitration Act. Arbitrator has to be appointed by C&MD of CCI.
- 12) **JURISDICTION:** Vikarabad Dist, (Telangana State) Civil Courts.  
Drawings, Sketches etc., if any send along with tender enquiry have to be returned with the offer.
- 13) Our Corporation reserves the right to cancel or accept or reject any offer or tender without giving any reason or justification.
- 14) Our Corporation reserves the right to split the order to more parties.
- 15) The bidders do not have any claim on the award of Work order/ Supply order.
- 16) CCI have the rights to place "**Repeat Order**" at the same rate, terms & conditions of original order with the consent of the supplier.
- 17) Individual offer should be given for each enquiry. Clubbing of offers against more than ONE enquiry is not allowed and such offers will be rejected.
- 18) **GUARANTEE AND WARRANTY:** The material offered against this tender has to be guaranteed for satisfactory working for a period of 18 months from the date of supply.

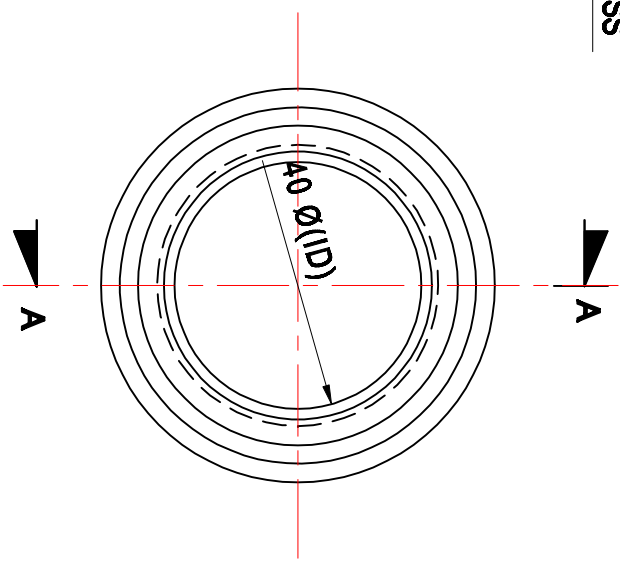
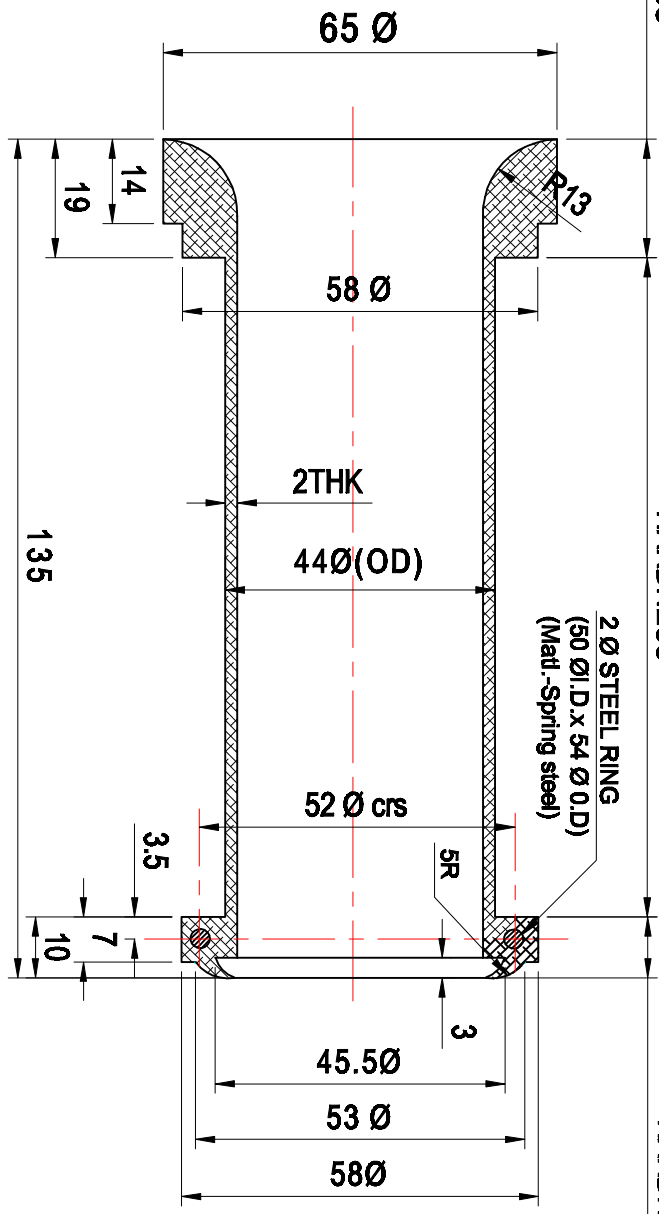
-----

DO NOT SCALE IF IN DOUBT ASK

SHORE-A-35  
HARDNESS

SHORE-A-15 TO 20  
HARDNESS

SHORE-A-35  
HARDNESS



**Section - AA**

**NOTES:-**

- 1) ALL DIMENSIONS ARE IN mm.
- 2) MATERIAL = LATEX RUBBER; CAST FINISH.
- 3) HARDNESS - AS SHOWN ABOVE.
- 4) QUANTITY - AS PER REQUIRED.
- 5) REF. OF EXISTING - L & T : RU 12.
- 6) STEEL RING MATERIAL - SPRING STEEL.
- 7) TENSILE STRENGTH - 200 KG/Cm .
- 8) ELONGATION - 700%.

**Notes:-**

- 1) ALL DIMENSIONS ARE IN M.M.
- 2) MATERIAL = LATEX RUBBER ; CAST FINISH
- 3) HARDNESS - AS SHOWN ABOVE
- 4) QUANTITY - AS PER REQUIRED.
- 5) REF OF EXISTING - L & T : RU12
- 6) STEEL RING MATERIAL-SPRING STEEL.
- 7) TENSILE STRENGTH -200 KG/CM2
- 8) ELONGATION - 700 %

REV	A	MATERIAL CHANGED FROM RUBBER TO LATEX RUBBER AND NOTES 7 & 8 ADDED AS PER THE INSTRUCTIONS OF MANAGER (J) AT R N C HEADQUARTERS	BY/DT.	C-D/AF/PO/DT.	MACHINING SYMBOLS	<table border="1"> <tr> <td>ROUGH</td> <td>~</td> </tr> <tr> <td>MEDIUM</td> <td>▽</td> </tr> <tr> <td>FINE</td> <td>▽</td> </tr> <tr> <td>GROUND</td> <td>▽</td> </tr> </table>	ROUGH	~	MEDIUM	▽	FINE	▽	GROUND	▽	<table border="1"> <tr> <td>DATE</td> <td>06-08-2006</td> </tr> <tr> <td>APPRO. BY</td> <td>-</td> </tr> <tr> <td>DATE</td> <td>-</td> </tr> <tr> <td>APPRO. BY</td> <td>-</td> </tr> </table>	DATE	06-08-2006	APPRO. BY	-	DATE	-	APPRO. BY	-	<b>CEMENT CORPORATION OF INDIA LTD.</b> CCI-TANDUR T.S. INDIA	<b>RUBBER SPOUT FOR PACKER MACHINE</b>	D, CCI-TDR/PP/19.08/009	Rev. A
ROUGH	~																										
MEDIUM	▽																										
FINE	▽																										
GROUND	▽																										
DATE	06-08-2006																										
APPRO. BY	-																										
DATE	-																										
APPRO. BY	-																										