



# CEMENT CORPORATION OF INDIA LIMITED

(A Govt. of India Enterprise)

An ISO 9001:2015 Certified Company

GSTIN No. 18AAACC0949B1Z3

Bokajan Cement Factory - 782 490

Dist. Karbi Anglong :: Assam

Phone 03675 - 246106/246109, Fax No. 03675-246107

E-mail ID: [bokajanmm01@gmail.com](mailto:bokajanmm01@gmail.com) & [bokajacement@gmail.com](mailto:bokajacement@gmail.com)



**Tender No. BKJ/MM/M-5518/23-24/**

**Date: 28.03.2024**

**Due on: 12.04.2024**

Dear Sir [s']

Please submit your most competitive offer for following as per terms and conditions given below/overleaf. You may depute your representative for attending the tender opening which will be made as 3.00 p.m. on the date in the Materials Management Department.

Sl. No.	Material Code	Description of item	Qty.
1	2852110602	Feed Pipe from Air Separator to Raw Mill (6 + 4)mm think internally Hard faced (55-60 HRC), Drg. No. 10:00:122.	01 Set.

- N.B:** - 1. Complete Pipe must have 360 degree full hard facing.  
2. Material to be supplied in assembled Conditions.  
3. Hardness test certificate is to be submitted from Govt. approved lab alongwith dispatch documents.

**Note:** Please furnish your GSTIN & HSN Code of the material in the offer.

**Delivery:** -

Shall be made from ready stock (OR) in the shortest possible period within 8-10 Weeks.

1. Please submit your offer through e-tender.
2. Your offer should be valid for Minimum 90 days.
3. Prices: FOR: Bokajan Basis & Discount offered may please be indicated.
4. Payment: 100% within 30 days from date of receipt of material at our site through RTGS.

HOD (MM)

## TERMS & CONDITIONS

### 1. **GENERAL:** -

- a. Prices: FOR: Bokajan Basis & Discount offered may please be indicated.
  - b. Freight (approx..) & Insurance (Generally covered under Block Insurance Scheme by CCI):
  - c. GST Tax / applicable: Please indicate your GST No. & Rate of GST applicable.
  - d. Other statutory levies etc. wherever applicable.
  - e. Packing & Forwarding: Rates of Packing charges & Forwarding charges if any.
  - f. Inspection: Generally at our site.
  - g. Payment: 100% within 30 days from date of receipt of material at our site through RTGS.
  - h. Bank Charges: In case of payment through bank, all bank charges shall be debit able to supplier's account. No interest, demurrage/wharfage will be payable by us due to delay in retirement of documents.
  - i. Testing Charges:
  - j. Delivery time: Maximum 8-10 Days after placement of order.
2. Confirm if prices are as per DGS&D Rate.
  3. Confirm if prices are as applicable to Govt. Public Sectors.
  4. Transit Insurance will be arranged by us.
  5. Prices shall be firm till the completion of supplies.
  6. **DELAYED DELIVERY CLAUSE:** In case of any delay in the delivery [a] you will be charged with the liquidated damages at the rate of ½ % of the value of the un-delivered portion per week or per theta of a maximum of 5 % [b] Also we may resort to risk purchase clause given Clause No. 09.
  7. **RISK PURCHASE CLAUSE:** In the event of delay in supplies or failure to supply the material we may resort to the procurement of material from elsewhere at your risk and cost.
  8. **ARBITRATION:** All disputes in case value exceeds Rs. 50,000/- will be referred to Arbitration as per Indian Arbitration Act. Arbitrator to be appointed by CMD of CCI.
  9. **JURISDICTION:** Diphu, Dist. Karbi Anglong (Assam).
  10. Drawings Sketches etc. if any sent alongwith tender enquiry have to be returned with the offer.
  11. Our Corporation reserves the right to cancel or accept or reject any offer or tender the same without giving any reason justification.
  12. Our Corporation reserves the right to split the order on more parties.
  13. The bidders do not have any claim on the award of work order/supply order.
  14. Individual offer should be given for each enquiry clubbing of offers against more than one enquiry is not allowed and such offers will rejected.
  15. **GUARANTEE AND WARANTY:** The material offered against this tender has to be guaranteed for satisfactory working for a minimum period of 12 months form date of supply. The supplier shall warranty to replace/rectify or repair free of cost at the factory site, the component or part of the items proved to have become unserviceable out of any of the above defects to materials with a period of 12 months from the date of use of materials or 18 months from the date of dispatch, whichever is earlier. In the event of the suppliers not complying with the above within reasonable time the Corporation will have the option to rectify/repair or replace the defective parts after giving 3 weeks' notice to the supplier and recover the cost from the supplier.

-----X-----

# ***Cement Corporation of India Limited***

**Bokajan Cement Factory-782 490**

Dist. KarbiAnglong, Assam

Phone 03675-246106/246109, Fax No. 03675-246107

E-mail: [bokajanmm01@gmail.com](mailto:bokajanmm01@gmail.com)

## **Important instructions for E-Procurement**

This is an E-Procurement event of CEMENT CORPORATION OF INDIA. The e-procurement service provider is NIC-Central Public Procurement Portal, New Delhi-110003

You are requested to read the terms & conditions of this tender before submitting your online tender. Tenderers who do not comply with the conditions with documentary proof (wherever required) will not qualify in the Tender for opening of price bid.

### **1 Process of E-tender :**

#### **Registration:**

The process involves vendor's registration with tender wizard e-procurement portal. Only after registration, the vendor(s) can submit his/their bids electronically. Electronic Bidding for submission of Techno-Commercial Bid as well as Price Bid over the internet will be done. The Vendor should possess Class III signing type digital certificate. Vendors are to make their own arrangement for bidding from a P.C. connected with Internet. NIC-CPPP is not responsible for making such arrangement. (Bids will not be recorded without Digital Signature).

**SPECIAL NOTE: THE PRICE BID AND THE COMMERCIAL BID HAS TO BE SUBMITTED ON-LINE AT [etenders.gov.in](http://etenders.gov.in)**

1). Vendors are required to register themselves online with [etenders.gov.in](http://etenders.gov.in) Register as Vendor Filling up details and creating own user id and password → Submit.

2). Vendors will receive a system generated mail confirming their registration in their email which has been provided during filling the registration form.

In case of any clarification, please contact CCI/NIC-CPPP portal.

Contact person (Cement Corporation of India):

1. HOD (MM)

CCI, Bokajan Cement Factory,

Bokajan, Dist: KarbiAnglong

Assam-782490

Contact No.: M:6303223140 / 8897856954

E-mail : [bokajanmm01@gmail.com](mailto:bokajanmm01@gmail.com)

2. HOD (MECH)

CCI, Bokajan Cement Factory,

Bokajan, Dist: KarbiAnglong

Assam-782490, Contact No. M: 9993586760

**(A) Help Desk (NIC-CPPP):**

**(E-commerce):**

☐ **0120-4001 002/005, 0120-6277787**

**(B) System Requirement:**

Windows 8, 10 Professional Operating System, Internet Browser-9, 10 & 11

Signing type Class 3 digital signature Java JRE 6 and above.

**THE VENDORS ARE ADVISED TO GO THROUGH THE Help Manual LINK AT [etenders.gov.in/eprocure/app](http://etenders.gov.in/eprocure/app) FOR GENERAL GUIDANCE ABOUT TENDER PROCESS.**

	<p>(A) Part I Techno-Commercial bid will be opened electronically on specified date and time as given in the NIT. Bidder(s) can witness electronic opening of bid.</p> <p>(B) Part II Price bid will be opened electronically of only those bidder(s) whose Part I Techno-Commercial Bid is found to be Techno-Commercially acceptable by CCI. Such bidder(s) will be intimated date of opening of Part II Price bid, through valid email confirmed by them.</p> <p><b>Note:</b> The tenderers are advised to offer their best possible rates. There would generally be no negotiations hence please submit your most competitive prices while submitting the price bid. However, in case the lowest rate appears to be reasonable taking into account the prevailing market conditions, the order may be awarded to the lowest bidder and if the rate is still considered high, action as per prevailing instruction/guideline shall be taken.</p>
3	All entries in the tender should be entered in online Technical & Commercial Formats without any ambiguity.
4	<p>In case of failure to access the payment towards cost of tender document &amp; EMD for any reason, the vender, in term, will not have the access to on line e-tender and no correspondence in this respect will be entertained and CCI will not be responsible for any such lapses on this account. Bidder(s) are advised to make remittance of tender fee and EMD through Online well in advance and verify completion of transaction in respect of tender fee and EMD.</p> <p>Vendors are instructed to upload documents in document library. Multiple documents can be uploaded. Maximum size of single document for upload is 5 MB.</p> <p>Once documents are uploaded in the library, vendors can attach documents through <i>Attach Document</i> link against the particular tender. For further assistance please follow instructions of Vendor Help Manual.</p>
5	All notices and correspondence to the bidder(s) shall be sent by email only during the process till finalization of tender by CCI. Hence the bidders are required to ensure that their corporate email I.D. provided is valid and updated at the stage of registration of vendor with CPP Portal in NIC (i.e. Service Provider). Bidders are also requested to ensure validity of their DSC (Digital Signature Certificate).
6	The responsibility of downloading the related corrigenda, if any, will be that of the responsibilities of the parties.
7	E-tender cannot be accessed after the due date and time mentioned in NIT.
8	<p>Bidding in e-tender &amp; Reverse auction:</p> <p>(a). Bidder(s) need to submit necessary EMD and Tender fees (If ANY) to be eligible to bid online in the e-tender. Tender fees are non-refundable. No interest will be paid on EMD. EMD of the unsuccessful bidder(s) will be refunded by CCI.</p> <p>(b). The process involves Electronic Bidding for submission of Techno Commercial Bid as well as Price Bid is explained in Help Manual.</p> <p>a. In all cases, bidder should use their own ID and Password along with Digital Signature at the time of submission of their bid.</p> <p>b. During the entire e-tender process, the bidders will remain completely anonymous to one another and also to everybody else.</p> <p>(c). The e-tender floor shall remain open from the pre-announced date &amp; time and for as much duration as mentioned above.</p> <p>(d). All electronic bids submitted during the e-tender process shall be legally binding on the bidder. Any bid will be considered as the valid bid offered by that bidder and acceptance of the same by the Buyer will form a binding contract between Buyer and the Bidder for execution of supply. Such successful tenderer shall be called hereafter</p>

	<p>SUPPLIER.</p> <p>(e). It is mandatory that all the bids are submitted with digital signature certificate otherwise the same will not be accepted by the system. Buyer reserves the right to cancel or reject or accept or withdraw or extend the tender in full or part as the case may be without assigning any reason thereof.</p> <p>(f). No deviation of the terms and conditions of the tender document is acceptable. Submission of bid in the e-tender floor by any bidder confirms his acceptance of terms &amp; conditions for the tender.</p> <p>(g). Unit of Measure (UOM) is indicated in the e-tender Floor. Rate to be quoted should be in Indian Rupee as per UOM indicated in the e-tender floor/tender document.</p>
09	Any order resulting from this open e-tender shall be governed by the terms and conditions mentioned therein.
10	No deviation to the technical and commercial terms & conditions are allowed.
11	After submitting online bid, the bidder cannot access the tender, once it has been submitted with digital signature.
12	CCI has the right to cancel this e-tender or extend the due date of receipt of bid(s) without assigning any reason thereof.
13	The online tender should be submitted strictly as per the terms and conditions and procedures laid down in the website <a href="http://etenders.gov.in/eprocure/app">etenders.gov.in/eprocure/app</a> of NIC-CPPP.
14	The bidders must upload all the documents required as per terms of NIT. Any other document uploaded which is not required as per the terms of the NIT shall not be considered.
15	The bid will be evaluated based on the filled-in technical & commercial formats.
16	The documents uploaded by bidder(s) will be scrutinized. In case any of the information furnished by the bidder is found to be false during scrutiny, EMD of defaulting bidder(s) will be forfeited. Punitive action including suspension and banning of business can also be taken against defaulting bidders.
17	Bidders are requested to read the vendor Help Manual in the home page <a href="http://etenders.gov.in/eprocure/app">etenders.gov.in/eprocure/app</a> to familiarize themselves with the system before bidding.

# CEMENT CORPORATION OF INDIA LIMITED



(A Govt. of India Enterprise)  
An ISO 9001:2015 Certified Company  
Bokajan Cement Factory - 782 490  
Dist. Karbi Anglong :: Assam



Phone 03675 - 246106/246109, Fax No. 03675-246107

E-mail ID: [bokajanmm01@gmail.com](mailto:bokajanmm01@gmail.com) & [bokajacement@gmail.com](mailto:bokajacement@gmail.com)

Tender No. BKJ/MM/M-5518/23-24/

PRICE - BID

=====

## Price Bid for procurement of Feed Pipe from Air Separator to Raw Mill at Bokajan Cement Factory of CCI

Sl. No.	Description of item	Quantity	Quoted Rate (Rupees per Set, on FOR Bokajan Cement Factory Basis)
1	Feed Pipe from Air Separator to Raw Mill (6 + 4)mm think internally Hard faced (55-60 HRC), Drg. No. 10:00:122.	01 Set.	Rs. _____
2	GST applicable @ _____%		Rs. _____
3	Total Landed Cost per No: (1+2)		Rs. _____
4	Payment Terms:-		
5	Validity: -		
6	Delivery Period: -		

**Note: L1 will be decided on overall lowest landed cost basis**

Signature of Tenderer:

Name of the Signatory:

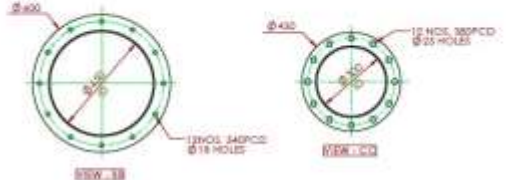
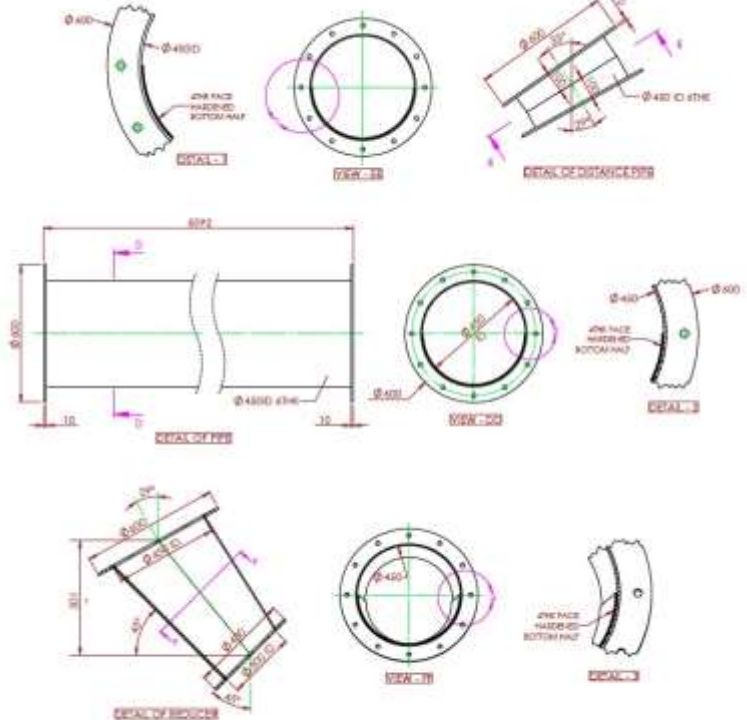
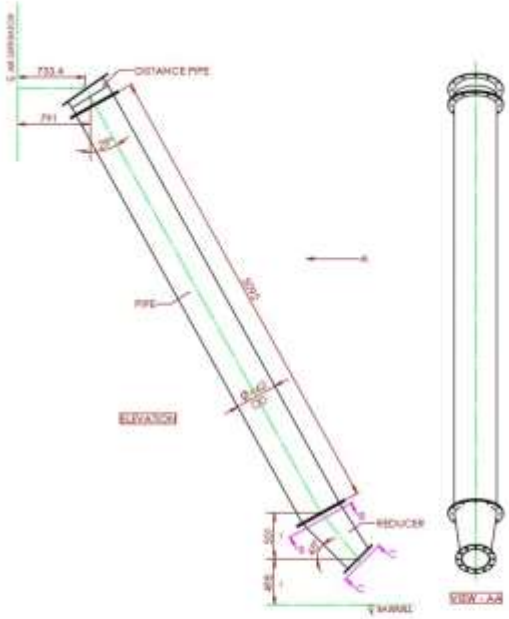
Date :

Designation

Place:

Name of the Party

Seal of the Company :



REF. Dwg. NO. ACC/8KJ4M/22A

SCALE	NS		
DESIGNED	0.3	07.01.24	
DRAWN			
TRACED			
CHECKED	A. L. PRAJAPATI		
APPROVED			

FACE HARDENED: 35-40MnC O-Carbon  
 MATERIAL - MS17 35g/mm<sup>2</sup>  
 TOTAL WEIGHT - 0.847 APPROX  
 ALL DIMENSIONS ARE IN MM

CEMENT CORPORATION OF INDIA LIMITED  
 BOKAJAN, ASSAM

F80 PPE FROM AIR SEPARATOR TO RAWMILL

CODE RM 040. NO. 10/00/22