



**CEMENT CORPORATION OF INDIA LIMITED**  
(A GOVERNMENT OF INDIA ENTERPRISE)  
RAJBAN CEMENT FACTORY (ISO 9001:2015 Certified Company)  
Tehsil Paonta Sahib Distt. Sirmour – (HP)-173028  
Tel: (01704)266223 / Fax 266270  
Email: [rajban@ccilttd.in](mailto:rajban@ccilttd.in) CIN-U74899DL1965GOI004322  
Website: [www.ccilttd.in](http://www.ccilttd.in)

NIT No.: RCF/MM/271-272(23)/

Dated: 04.04.2024

**NOTICE INVITING E-TENDER (NIT)**  
(Only through e-procurement)

Online electronic bids through Electronic Tendering System (ETS) are inviting e-tender in Two Bid System for **Tender for Supply of Ropeway'sspares**. The complete set of tender document is available on websites: [www.ccilttd.in](http://www.ccilttd.in), [www.eprocure.gov.in](http://www.eprocure.gov.in).

E-TENDER NO.	RCF/MM/271-272(23)/
MODE OF TENDER	e-Procurement System (Online Part A - Techno-Commercial Bid and Part B - Price Bid) through <a href="http://www.eprocure.gov.in">www.eprocure.gov.in</a>
Date of NIT available to parties to download	04.04.2024 at 15:00hrs
01 Earnest Money Deposit	Nil
02 Tender Fees	Nil
03 Transaction Fee	Nil
Date of Starting of e-Tender for submission of on line Techno-Commercial Bid and Price Bid at <a href="http://www.eprocure.gov.in">www.eprocure.gov.in</a>	From 04.04.2024 at 15:30hrs Till 22.04.2024 at 14:30hrs
Date & time of opening of Part-A (i.e. Techno-Commercial Bid) Part-B Price Bid: Date of opening of Part-B	23.04.2024 at 15:00 hrs To be communicated separately
Closing date of tender	22.04.2024 at 14:30 hrs
Validity of bids	90 days from the date of the techno- commercial bid opening.

Offer is invited for the following as per details given below:

<b>S. No.</b>	<b>Description of the items</b>	<b>Unit</b>	<b>Quantity Required</b>
1	Pressing / Travelling Disc $\phi$ 31 x 6mm, Material:- En-9, Drawing No. M-1214-79	Nos	300
2	Disc (75x10), Material:- En-9, Drawing No. M-1214-82	Nos	150
3	Jaw operating Pin $\phi$ 32x22x110mm, Material:- En-9, Drawing No. M-1214-38	Nos	100
4	Distance Ring- (Forged ) $\phi$ 34x52mm, Material:- En-9, Drawing No. M1214-31	Nos	300
5	Distance Ring- (Forged ) $\phi$ 35x14mm, Material:- En-9, Drawing No. M1214-32	Nos	300

Note:

1. The tenders who fulfill the terms & conditions mentioned in the tender documents shall be considered.
2. The price- bid should be only as per CCI's price - bid format otherwise the tender is liable for rejection.
3. The tenderers are advised to offer their lowest rates taking into account the prevailing market conditions. There would generally be no negotiations hence please submit your most competitive prices while submitting the price bid. However, if the rate is still considered High, action as per prevailing instruction/guideline shall be taken.

HOD (MM)

**The tender documents comprise of following:-**

Annexure-A	Important Instructions to Bidders for E-Procurement
Annexure-B	Part-III- Special terms & conditions
Annexure-C	Techno Commercial Bid
Annexure-D	Price Bid (to be submitted duly filled in online as Part-B)
Available on website: www.ccilttd.in	General Term & conditions (GTC), Part I & II along with annexure 1 to 9 are available on website and have to attach with techno-commercial bid. Participants may download the GTC from our website in this sequence: 01. <a href="http://www.ccilttd.in">www.ccilttd.in</a> 02. Tenders 03. At serial No. 05

**HOD (MM)**

**Important Instructions to Bidders for E-procurement**

This is an e-procurement event of CEMENT CORPORATION OF INDIA LIMITED. The e-procurement service provider is [www.eprocure.gov.in](http://www.eprocure.gov.in).

You are requested to read the tender General Terms & Conditions (GTC) (**Annexure:1-9**) of this tender before submitting your online tender. Tenderers who do not comply with the conditions with documentary proof (wherever required) will not qualify in the Tender for opening of price bid.

1.	<p>Process of E-tender :</p> <p><b>Registration:</b></p> <p>The process involves vendor's registration with tender wizard e-procurement portal. Only after registration, the vendor(s) can submit his/their bids electronically. Electronic Bidding for submission of Techno-Commercial Bid as well as Price Bid over the internet will be done. The Vendor should possess Class III signing type digital certificate. Vendors are to make their own arrangement for bidding from a P.C. connected with Internet. Antares systems ltd is not responsible for making such arrangement. (Bids will not be recorded without Digital Signature).</p> <p><b>SPECIAL NOTE: THE PRICE BID AND THE TECHNO-COMMERCIAL BID HAS TO BE SUBMITTED ON-LINE AT <a href="http://www.eprocure.gov.in">www.eprocure.gov.in</a>.</b></p> <p>Vendors are required to register themselves online with <a href="http://www.eprocure.gov.in">www.eprocure.gov.in</a>, →Register Me' link. Filling up details and creating own user id and password→ Submit.Vendors will receive a system generated mail confirming their registration in their e-mail which has been provided during filling the registration form. In case of any clarification, please contact CCI/ Antares systems ltd, (before the scheduled time of the e- tender).</p> <p><b>Contact person (Cement Corporation of India):</b></p> <table border="0"> <tr> <td>1. HOD (MM)</td> <td>2. DGM (MECH)</td> </tr> <tr> <td>Landline: 01704-266227</td> <td>Mo. 06303223140</td> </tr> <tr> <td>Mobile: 07827989577</td> <td></td> </tr> <tr> <td>Email: <a href="mailto:ccimmrjo@rediffmail.com">ccimmrjo@rediffmail.com</a>,</td> <td></td> </tr> <tr> <td><a href="mailto:mm_rjo@ccilttd.in">mm_rjo@ccilttd.in</a></td> <td></td> </tr> </table> <p><b>B) System Requirement:</b> Windows 8,10 professional Operating System, internet browser-9,10 &amp;11 Signing type III digital signature Java JRE 6 and above</p>	1. HOD (MM)	2. DGM (MECH)	Landline: 01704-266227	Mo. 06303223140	Mobile: 07827989577		Email: <a href="mailto:ccimmrjo@rediffmail.com">ccimmrjo@rediffmail.com</a> ,		<a href="mailto:mm_rjo@ccilttd.in">mm_rjo@ccilttd.in</a>	
1. HOD (MM)	2. DGM (MECH)										
Landline: 01704-266227	Mo. 06303223140										
Mobile: 07827989577											
Email: <a href="mailto:ccimmrjo@rediffmail.com">ccimmrjo@rediffmail.com</a> ,											
<a href="mailto:mm_rjo@ccilttd.in">mm_rjo@ccilttd.in</a>											
2.	<p><b>(A)Part-A Techno-Commercial bid</b> will be opened electronically on specified date and time as given in the NIT. Bidder(s) can witness electronic opening of bid.</p> <p><b>(B) Part-B Price bid</b> will be opened electronically of only those bidder(s) who's Part-A Techno-Commercial Bid is found to be Techno-Commercially acceptable by CCI. Such bidder(s) will be</p>										

	<p>intimated date of opening of Part-B Price bid, through valid email confirmed by them.</p> <p><b>Note:</b></p> <p>The tenderers are advised to offer their highest possible rates taking into account the prevailing market conditions. There would generally be no negotiations hence please submit your most competitive prices while submitting the price bid. However, if the rate is still considered low, action as per prevailing instruction/guideline shall be taken.</p>
3.	All entries in the tender should be entered in online Technical & Commercial Formats without any ambiguity.
4.	<p>In case of failure to access the payment towards non-refundable fees for any reason, the vender, in term, will not have the access to on line e-tender and no correspondence in this respect will be entertained and CCI will not be responsible for any such lapses on this account. Bidder(s) are advised to make remittance of non-refundable fees through separate DD well in advance and verify completion of transaction in respect of non-refundable fees.</p> <p>Vendors are instructed to use <b>Upload Documents</b> link in My menu to upload documents in document library. Multiple documents can be uploaded. Maximum size of single document for upload is 5 MB.</p> <p>Once documents are uploaded in the library, vendors can attach documents through <b>Attach Document</b> link against the particular tender. For further assistance please follow instructions of vendor guide.</p>
5.	All notices/corrigendum and correspondence to the bidder(s) shall be sent by email only during the process till finalization of tender by CCI. Hence the bidders are required to ensure that their corporate email I.D. provided is valid and updated at the stage of registration of vendor with tender wizard (i.e. Service Provider). Bidders are also requested to ensure validity of their DSC (Digital Signature Certificate).
6.	The responsibility of downloading the related corrigenda, if any, will be that of the downloading parties.
7.	E-tender cannot be accessed after the due date and time mentioned in NIT.
8.	<p><b>Bidding in e-tender:</b></p> <p>a.) It is mandatory that all the bids are submitted with digital signature certificate otherwise the same will not be accepted by the system.</p> <p>b.) Buyer reserves the right to cancel or reject or accept or withdraw or extend the tender in full or part as the case may be without assigning any reason thereof.</p> <p>c.) No deviation of the terms and conditions of the tender document is acceptable. Submission of bid in the e-tender floor by any bidder confirms his acceptance of terms &amp; conditions for the tender.</p> <p>d.) Unit of Measure (UOM) is indicated in the e-tender Floor. Rate to be quoted should be in Indian Rupee as per UOM indicated in the e-tender floor/tender document.</p>
9.	Any order resulting from this open e-tender shall be governed by the terms and conditions

	mentioned therein.
10.	No deviation to the technical and commercial terms & conditions are allowed.
11.	After submitting online bid, the bidder cannot access the tender, once it has been submitted with digital signature
12.	CCI has the right to cancel this e-tender or extend the due date of receipt of bid(s) without assigning any reason thereof.
13	The online tender should be submitted strictly as per the terms and conditions and procedures laid down in the website <a href="http://www.cci-etender.com">www.cci-etender.com</a> of Antares systems Ltd.
14.	The bidders must upload all the documents required as per terms of NIT. Any other document uploaded which is not required as per the terms of the NIT shall not be considered.
15	The bid will be evaluated based on the filled-in technical & commercial formats.
16.	The documents uploaded by bidder(s) will be scrutinized. In case any of the information furnished by the bidder is found to be false during scrutiny, punitive action including suspension and banning of business can also be taken against defaulting bidders.
17	<b>Bidders are requested to read the vendor guide and see the video in the page <a href="http://www.eprocure.gov.in">www.eprocure.gov.in</a>,to familiarize themselves with the system before bidding.</b>

**For and on behalf of CCI LTD**

HOD (MM)

**CEMENT CORPORATION OF INDIA LIMITED**

(A Govt. of India Enterprises - ISO 9001:2015 Certified)

**Part-III SPECIAL TERM AND CONDITIONS**

**1.0 SPECIFICATIONS:**

1.1 The specifications of the ropeway's spares required are as per Annexure-C.

**2.0 QUANTITY:**

2.1 The quantity is clearly mentioned in Annexure-C

2.4 Non acceptance of indents by the supplier on any account fix quantity, delay in receipt of indent etc. will tantamount to breach of contract and supplier will be liable to pay penalty /liquidated damages as per decision of the Corporation based on the relevant paras of the terms of the contract.

**3.0 DELIVERY:**

3.1 **The supply has to be made in Single manner within 30-90 days.**

3.2 The Unit shall place their order and the supplier shall supply the material within the delivery period as specified in the Annexure-C and as per schedule stipulated in the order.

3.3 All terms and conditions stipulated in the tender will be applicable to such ad-hoc requirements also.

3.4 The completion of delivery shall be on the date of the receipt of material at CCI's factory site. It shall be the responsibility of the supplier to ensure that the material reaches CCI's unit as per the delivery schedule given.

**4.0 PRICES:**

4.1 The rates should be quoted in our prescribed Price bid Performa as per Annexure-D indicating separately price for **ropeway spares**.

4.2 The RATES offered shall be inclusive of packing and forwarding charges, freight, inspection charges and any other levies/ charges etc. and GST shall be extra. Necessary documents will have to be submitted by you for availing ITC on GST. The rates shall be firm throughout the supply of total quantity. Tenderers have to submit the MTC from a government approved lab.

## **5.0 PAYMENT TERMS:**

5.1 100% within 30 days from the date of receipt & acceptance of materials at our site after adjustment of recoveries due, if any as per CCI's assessment and L.D clause.

5.1.1 **LD:** In the event of goods not delivered on or before the date of delivery mentioned in the indent, a penalty @ ½% of the unexecuted order value per fortnight or part thereof shall be levied, subject to a maximum of 5% of total value of order..

5.2 in case of payment through bank, all bank charges shall be borne by supplier.

5.3 **SD:** Successful tenderer(s) shall have to furnish a Security Deposit equivalent to 3% (Three percent) value of the order by way of Demand Draft / Bank Guarantee (In CCI's format) in terms of Clause No. 2 of Part- II of the tender documents for satisfactory completion / performance of the contract. S.D will be refunded after successful completion of contract.

## **6.0 QUALITY:**

6.1 The supplier shall guarantee and confirm that the materials to be supplied are as per specifications and dimensions and as per Drawings as specified in the order. Material shall be free from any defects arising out of use of defective materials or any manufacturing or any other defects.

6.2 The supplier shall furnish test certificates of their laboratory and inspection report (MTC), if any. In case the material found defective, the supplier shall replace the material immediately at free of cost.

6.3 The chemical composition and tolerance the material will be governed by the relevant latest standard specification. Testing for chemical composition will also be governed by the relevant latest Indian Standard specification.

## **7.0 ELIGIBILITY CRITERIA:**

**7.1 Suppliers those have experience to the supply of ropeway spares and accept our payment & delivery term shall be technically qualify for the further processing of tender. In any case the suppliers' delivery and payment term shall not be accepted by the Corporation.**

## **8.0 JURISDICTION:**

It is hereby agreed by the parties here that only the following Courts shall have Jurisdiction to decide or adjudicate upon any dispute which may arise out of or be in connection with the agreement:-

- i. Courts at Ponta Sahib / Shimla for contracts awarded for Rajban Unit.



**9. Inspection: at our site (CCI Rajban)**

**10. Paying Authority:** HOD (Fin), CCI Rajban

**11. Consignee:**

HOD (Materials & Management)  
Cement Corporation of India Ltd.  
Rajban Cement Factory

**CEMENT CORPORATION OF INDIA LIMITED**  
**(A Govt. of India Enterprises)**  
**TECHNICAL BID**

Tender No.RCF/MM/271-272(23)

<b>S. No.</b>	<b>Description of the items</b>	<b>Unit</b>	<b>Quantity Required</b>
1	Pressing / Travelling Disc $\phi$ 31 x 6mm, Material:- En-9, Drawing No. M-1214-79	Nos	300
2	Disc (75x10), Material:- En-9, Drawing No. M-1214-82	Nos	150
3	Jaw operating Pin $\phi$ 32x22x110mm, Material:- En-9, Drawing No. M-1214-38	Nos	100
4	Distance Ring- (Forged ) $\phi$ 34x52mm, Material:- En-9, Drawing No. M1214-31	Nos	300
5	Distance Ring- (Forged ) $\phi$ 35x14mm, Material:- En-9, Drawing No. M1214-32	Nos	300

**Deliver Period: The supply has to be made in Single manner within 30-90 days.**

**Note:**

- 01. MTC is required from a government approved lab for all items.**
02. Ensure warranty period for 6 Months, otherwise, party will be rejected.
03. Replacement of parts if found not compatible with existing fitting conditions.
04. Ensure that the material quality is being maintained.

**HOD (MM)**

**Annexure-D****CEMENT CORPORATION OF INDIA LIMITED  
(A Govt. of India Enterprises)****PRICE – BID**

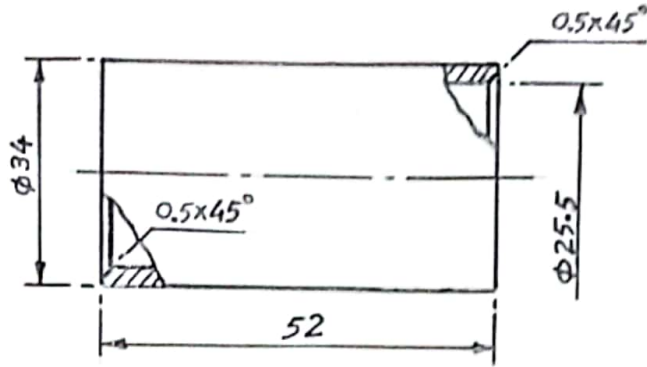
Tender No. RCF/MM/242-243-263(23)

Price Bid Date:

<b>S. No.</b>	<b>Description of the items</b>	<b>Unit</b>	<b>Quantity Required</b>	<b>Rates (Inclusive freight up to CCI Rajban)</b>	<b>GST</b>
1	Pressing / Travelling Disc $\phi$ 31 x 6mm, Material:- En-9, Drawing No. M-1214-79	Nos	300		
2	Disc (75x10), Material:- En-9, Drawing No. M-1214-82	Nos	150		
3	Jaw operating Pin $\phi$ 32x22x110mm, Material:- En-9, Drawing No. M-1214-38	Nos	100		
4	Distance Ring- (Forged ) $\phi$ 34x52mm, Material:- En-9, Drawing No. M1214-31	Nos	300		
5	Distance Ring- (Forged ) $\phi$ 35x14mm, Material:- En-9, Drawing No. M1214-32	Nos	300		

**Note:**

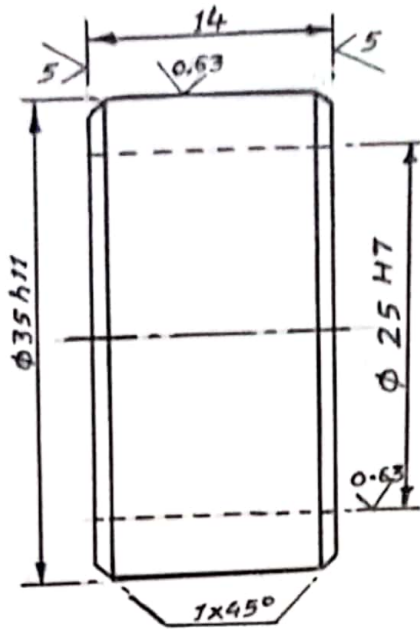
01. The overall L1 party, single party will be decided for shortest delivery period on FOR basis.
02. Ensure warranty period for 6 Months, otherwise, party will be rejected.
03. Replacement of parts if found not compatible with existing fitting conditions.
04. Ensure that the material quality is being maintained.



5/

Drq. is traced from 'JESSOP' Drq. No- 86611.

ITEM	No of Pcs.	DENOMINATION	DIMENSION	MATERIAL	WEIGHT
1	05	ROUND STEEL KORACEL MEGHEVEZES	φ 34x52	IS: 226 St-42 A-38	0.2
<b>CEMENT CORPORATION OF INDIA LTD.</b> <b>RAJBAN (HP)</b>					
TRD.	P. Lead Est. No.	<u>DISTANCE RING No-1</u> <u>ROPE WAY.</u>			QTY. 1 No.
CHD.	K. Shing				WEIGHT 0.2 Kg.
PSD.	Plan	Material - IS:226. St-42. A-38			REV
APD.					Scale - ~



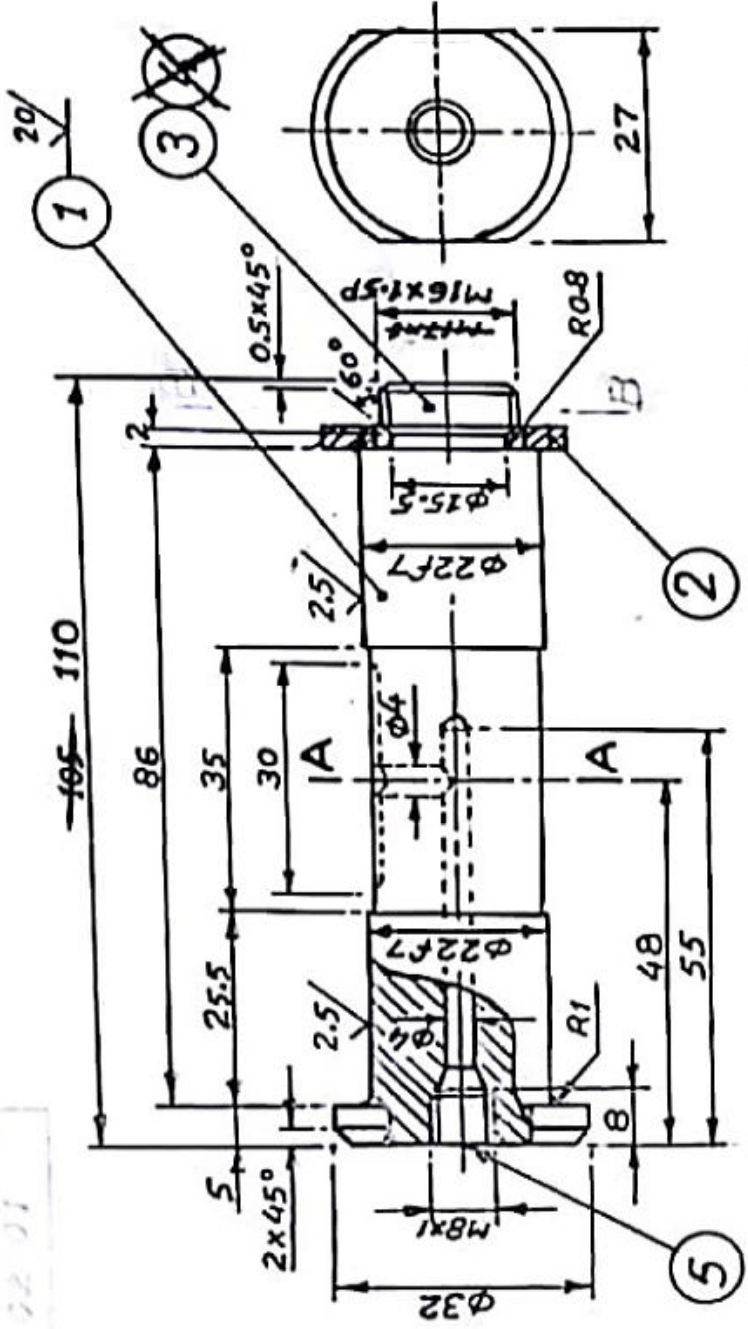
Dwg. is traced from 'JESSOP' Dwg. no.-86612

25h7	+0.021
	0
35h11	0
	-0.130

2	ROUND STEEL	Φ35/Φ25X14	IS: 226 St.42	0.06		
ITEM	No OF PCS	DENOMINATION	DIMENSION	MATERIAL	WEIGHT	NOTE
JEL	DB	MEGMEV235				JELX221

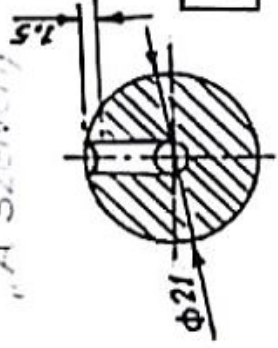
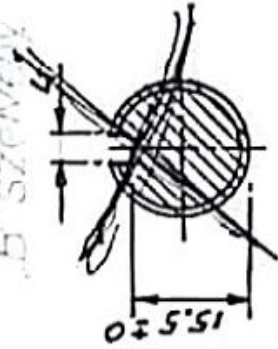
**CEMENT CORPORATION OF INDIA LTD.**  
**RAJBAN (HP)**

TRD.		DISTANCE RING No.-II (ROPEWAY)	QTY
CHD.			2 Nos.
PSD.			WEIGHT
APD.			0.06 Kg.
Scale - ~			Material - IS:226 St-42 A38
		DRG. No - M-1214-32	



Profile 'B'  
"B" SIZE (NIPPLE)

Profile 'A'  
"A" SIZE (NIPPLE)



$\phi 22F7$   
-0.020  
-0.041

5	1	GREASE NIPPLE Galvco 20000450	M8x1		
4	1	Locking washer SKF MB03	—	0.01	
3	1	SKF LOCK NUT KM3 HEXAGONAL NUT M16	M16x1.5P —	0.02	
2	1	Washer A18 IS: 2016 - STEEL	M16	0.01	
1	1	Round steel Kanchal 1603	$\phi 32$ X 105	0.26	
ITEM	N° of PCS	DENOMINATION	DIMENSION	MATERIAL	NOTE
Qty	db	Measurements	mm	Weight	Part

CEMENT CORPORATION OF INDIA LTD.

RAJIBAN (HP)

Drq is traced from

'Jessop' Drq. no. -

V  
9.21.02-01  
R

TRD. Bhatnagar  
20/5/50

CHD. Vishishrai

PSD. [Signature]

APD.

QTY.

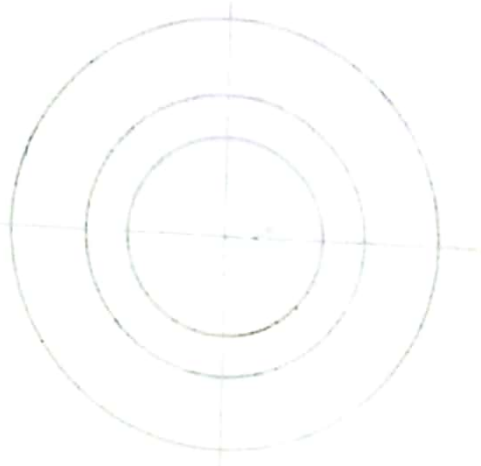
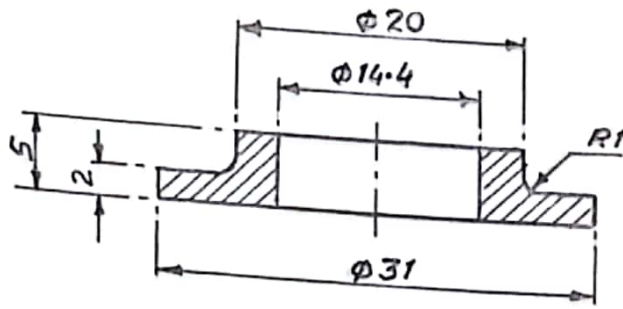
JAW OPERATION PIN  
(ROPE WAY)

WEIGHT

Material - EN-8 (A 50)

SCALE - 1:1 DRG. No - M-1214 - 38

09-00

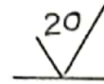
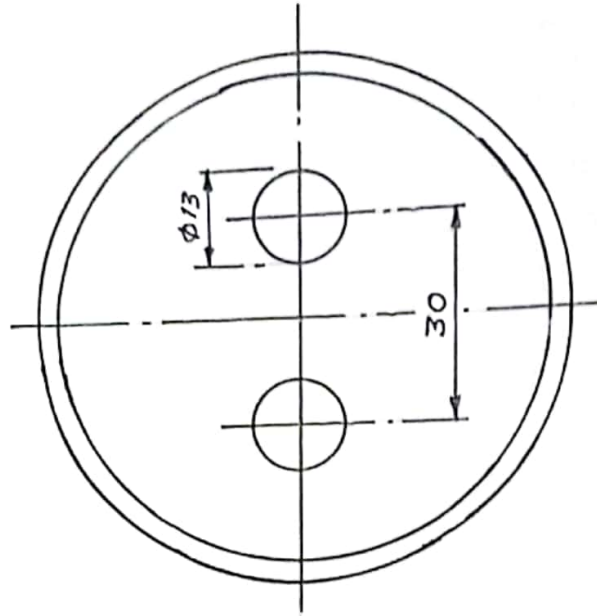
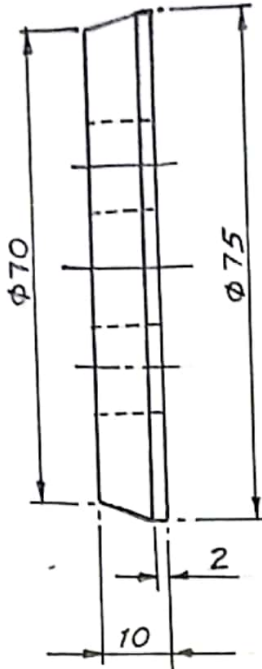


20/

DRG. IS TRACED FROM 'JESSOP' DRG. No.- 12.34.09-00  
R

ITEM	No. OF PCS	DENOMINATION	DIMENSION	MATERIAL	WEIGHT	NOTE
	1	ROUND STEEL	$\phi 31 \times 5$	IS-226 St-42	0.03	
<p>CEMENT CORPORATION OF INDIA LTD RAJWAN (HP)</p>						
		TRD.		<p><u>PRESSING DISC</u> (ROPE-WAY)</p>	QTY	1 No.
		CHD.			WEIGHT	0.03kg
		PSD.			REV.	
		APD.				
Scale - 2:1			DRG. No. - M-1214-79			

215-5K-378  
15-00



DRG. IS TRACED FROM "JESSOP" DRG. No. - 12-34-15-00  
R

CEMENT CORPORATION OF INDIA LTD.  
RAJBAN (HP)

TRD.		<u>DISC <math>\phi 75 \times 10</math></u> <u>(ROPE-WAY)</u>	QTY.
CHD.	<i>Rawmay</i>		1 No.
PSD.	<i>Devi</i>	Material - IS-226. St-42.	WEIGHT
APD.			0.345 kg
SCALE - 1:1		DRG. No. - M-1214 - 82	REV