

TENDER ENQUIRY

Cement Corporation of India Ltd.,
(A Govt. of India Enterprises - ISO 9001:2008 Certified)
Rajban Cement Factory,
Rajban, Tehsil: Paonta Sahib (HP)-173028
Enquiry No. MUST be quoted in all future
TIN No.02040200105, ECC No. AAACC0949B-XM005, CIN-U74899DL1965GOI004322,

E-MAIL/SPEED.POST
GSTIN No.- 02AAACC0949B1ZG
Phone: 266227,222383
Email: mm_rjo@ccilttd.in
:ccimmrjo@rediffmail.com

Ref: RCF/MM/56(24)


Date: 08.05.2024
Due Date: 20.05.2024

Sub: Uploading of NIT – on CCI's Public website

<u>Sl.</u>	<u>Description</u>	<u>Item Code</u>	<u>Unit</u>	<u>Quantity</u>
1.	Spl Head bolt & nut with washer & lock nut, Size: M 24 x 2 x 340 L As per drg no. M2210-3, B476M Material – forged steel	0815728302	Nos	70

Interested parties may send their offer by post in sealed envelope containing two separate covers inside (i). credentials & supporting documents and (ii). Commercial cum price bid which should reach us before due date. If the credential are found suitable then the commercial cum price bid shall be opened. The decision of the corporation is final.

HOD (Systems)


HOD (MM)

General Terms & Conditions:

01. Confirm if prices are as applicable to Govt. Public – Sectors.
02. Prices shall be firm till completion of supplies.
03. Normally no price negotiation will be conducted. Tenderers are advised to quote minimum rates on minimum rates basis in their offer.
04. Please indicate clearly whether your price is based on FOR Destination basis i.e. by road up to Rajban, Tehsil Paonta Sahib Distt. Sirmour, Himachal Pradesh. For Godown prices, the element of packing & forwarding charges should be indicated specifically otherwise, it will be taken as NIL & in case of extra, the same shall be payable as per actual limited to 2%.
05. Please indicate your GST Regn. No. In absence of this information your firm will be treated as an unregistered firm and your prices will be loaded accordingly.
06. Our Corporation reserves the right to cancel or accept or reject any offer or tender in part or full without giving any reason or justification.
07. Our Corporation reserves the right to split the order on one or more parties.
08. The bidders do not have any claim on the award of work order / supply order.
09. Individual offer should be given for each enquiry. Clubbing of offers against more than one enquiry is not allowed. Such offers will be rejected outrightly.
10. **DELIVERY PERIOD:** Quotations with vague delivery period like "Subject to prior sale" etc. are liable to be ignored. Delivery period should be realistic and specifically mentioned.
11. **EARNEST MONEY DEPOSIT:** If the value of the tender is more than Rs.5.00 lacs EMD @2% in the form of Bank Guarantee from any Nationalized Bank or Cash/DD in favor of Cement Corporation of India Ltd., payable at State Bank of India, Rajban (3399) has to be furnished along with offer.
12. **SECURITY DEPOSIT:** In the event of placement of purchase order you have to furnish Security Deposit at the rate of 5% of the total order value in the form of BG from any Nationalized Bank / Cash / DD in favor of Cement Corporation of India Ltd., payable at State Bank of India, Rajban (3399) – within 15 days from the date of order. This is applicable for orders having value more than Rs.5.00 lacs for orders having value less than this amount, the clause is not applicable.
13. **DELAYED DELIVERY CLAUSE:** In case of any delay in the delivery (a) You will be charged with the Liquidated Damages @ 0.5% of the value of the un-delivered portion per fortnight or part thereof, maximum up to 5% of order value on landed cost basis. (b) Also we may resort to risk purchase as per clause 9 given below.
14. **RISK PURCHASE CLAUSE:** In the event of delay in supplies or failure to supply of material, CCI will have the rights to purchase the materials at the Risk and cost of supplier.
15. **ARBITRATION:** All disputes in case value exceeds Rs.50,000/- will be referred to Arbitration as per Indian arbitration Act. Arbitrator to be appointed by C&MD of CCI.
16. **JURISDICTION:** Paonta Sahib, Distt. Sirmour (HP) Civil Courts.
17. **GUARANTEE & WARRANTY:** The material offered against this tender has to be guaranteed for satisfactory working for a period of 18 months from the date of supply. The supplier shall warranty to replace/rectify or repair – free of cost at the factory site, the component or part of the items proved to have become unserviceable out of any of the above defects to materials with a period of 12 months from the date of use of materials or 18 months from the date of dispatch, whichever's earlier. In the event of the suppliers not complying with the above within reasonable time the Corporation will have the option to rectify/repair or replace the defective parts after giving 3 weeks' notice to the supplier and recover the cost from the supplier.

Cement Corporation of India Ltd., TENDER ENQUIRY

(A Govt. of India Enterprises - ISO 9001:2015 Certified)

Rajban Cement Factory,

Rajban, Tehsil: Paonta Sahib (HP)-173029

Enquiry No. MUST be quoted in all future

OUR TIN NO.02040200105, ECC No. AAACC0949B-XM005, CINU74899DL1965GOI004322

ATTENTION: INDICATE TENDER NO., DUE DATE ON YOUR ENVELOP WITHOUT FAIL.

Your Offer should be valid for minimum 60 days.

TENDER: ENQUIRY No. RCF/MM/56(24)

E-MAIL/SPEED.POST

GSTIN No.- 02AAACC0949B1ZG

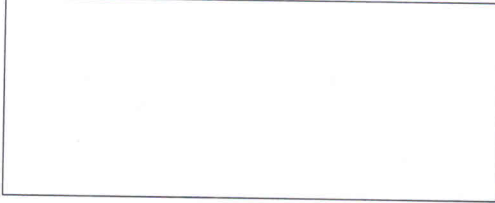
Phone: 266227,222383

Email: mm_rjo@ccilttd.in

:ccimmrjo@rediffmail.com

Dated: 08.05.2024

Due Date: 20.05.2024



Dear Sir,

Please submit your competitive offer **in sealed envelope** for following as per terms and conditions given below/overleaf if desired, you may depute your representative for attending the tender opening which will be held at 3.30 PM on the due date in the Material Management Department:-

<u>Sl.</u>	<u>Description</u>	<u>Item Code</u>	<u>Unit</u>	<u>Quantity</u>
1.	Spl Head bolt & nut with washer & lock nut, Size: M 24 x 2 x 340 L As per drg no. M2210-3, B476M Material – forged steel / (One Item only)	0815728302	Nos	70

GENERAL TERMS & CONDITIONS:

- Prices:** FOR destination inclusive of Freight & **Discount** offered may please be indicated.
- Insurance** (Generally covered under Block Insurance Scheme by CCI):
- GST** applicable: Please indicate your GST No & Rate of Taxes applicable on above item.
- Other statutory levies** etc. wherever applicable.
- Packing & Forwarding:** Rates of Packing charges & Forwarding charges if any.
- Inspection:** Generally at our site.
- Payment:** 100% within 30 days from date of receipt of material at our site.
- Bank Charges:** If payment through bank, all bank charges shall be debit able to supplier's account.
No interest, demurrage/wharf age will be payable by us due to delay in retirement of documents.
- Validity :** Validity should be given minimum 60 days .
- Delivery time:** Within 03 - 04 weeks after placement of order.

Thanking you,

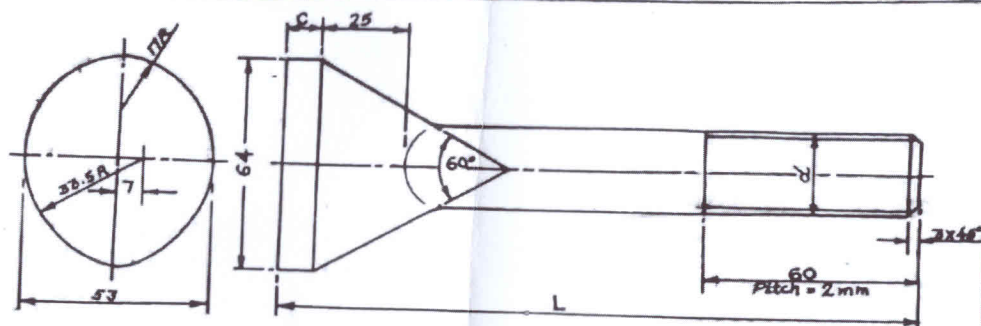
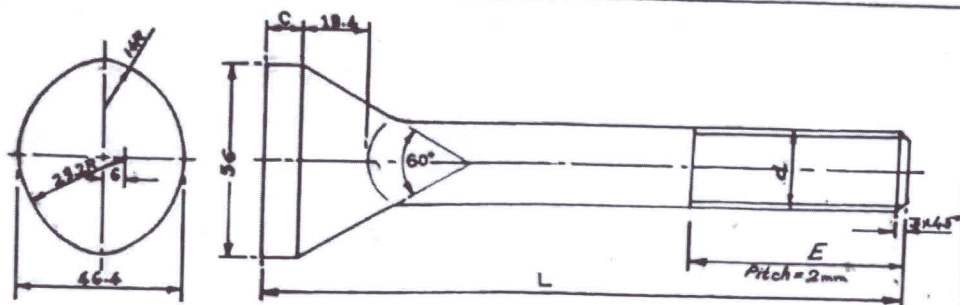
Yours faithfully,

HOD (MM)

CC: HOD(Mech)
Indent No. 44013

General Terms & Conditions:

01. Confirm if prices are as applicable to Govt. Public – Sectors.
02. Prices shall be firm till completion of supplies.
03. Normally no price negotiation will be conducted. Tenderers are advised to quote minimum rates on minimum rates basis in their offer.
04. Please indicate clearly whether your price is based on FOR Destination basis i.e. by road up to Rajban, Tehsil Paonta Sahib Distt. Sirmour, Himachal Pradesh. For Godown prices, the element of packing & forwarding charges should be indicated specifically otherwise, it will be taken as NIL & in case of extra, the same shall be payable as per actual limited to 2%.
05. Please indicate your GST Regn. No. In absence of this information your firm will be treated as an unregistered firm and your prices will be loaded accordingly.
06. Our Corporation reserves the right to cancel or accept or reject any offer or tender in part or full without giving any reason or justification.
07. Our Corporation reserves the right to split the order on one or more parties.
08. The bidders do not have any claim on the award of work order / supply order.
09. Individual offer should be given for each enquiry. Clubbing of offers against more than one enquiry is not allowed. Such offers will be rejected out-rightly.
10. **DELIVERY PERIOD:** Quotations with vague delivery period like “Subject to prior sale” etc. are liable to be ignored. Delivery period should be realistic and specifically mentioned.
11. **EARNEST MONEY DEPOSIT:** If the value of the tender is more than Rs.5.00 lacs EMD @2% in the form of Bank Guarantee from any Nationalized Bank or Cash/DD in favor of Cement corporation of India Ltd., payable at State Bank of India, Rajban (3399) has to be furnished along with offer.
12. **SECURITY DEPOSIT:** In the event of placement of purchase order you have to furnish Security Deposit at the rate of 5% of the total order value in the form of BG from any Nationalized Bank / Cash / DD in favor of Cement Corporation of India Ltd., payable at State Bank of India, Rajban (3399) – within 15 days from the date of order. This is applicable for orders having value more than Rs.5.00 lacs for orders having value less than this amount, the clause is not applicable.
13. **DELAYED DELIVERY CLAUSE:** In case of any delay in the delivery (a) You will be charged with the Liquidated Damages @ 0.5% of the value of the un-delivered portion per fortnight or part thereof, maximum up to 5% of order value on landed cost basis. (b) Also we may resort to risk purchase as per clause 9 given below.
14. **RISK PURCHASE CLAUSE:** In the event of delay in supplies or failure to supply of material, CCI will have the rights to purchase the materials at the Risk and cost of supplier.
15. **ARBITRATION:** All disputes in case value exceeds Rs.50,000/- will be referred to Arbitration as per Indian arbitration Act. Arbitrator to be appointed by C&MD of CCI.
16. **JURISDICTION:** Paonta Sahib, Distt. Sirmour (HP) Civil Courts.
17. **GUARANTEE & WARRANTY:** The material offered against this tender has to be guaranteed for satisfactory working for a period of 18 months from the date of supply. The supplier shall warranty to replace/rectify or repair – free of cost at the factory site, the component or part of the items proved to have become unserviceable out of any of the above defects to materials with a period of 12 months from the date of use of materials or 18 months from the date of dispatch, whichever's earlier. In the event of the suppliers not complying with the above within reasonable time the Corporation will have the option to rectify/repair or replace the defective parts after giving 3 weeks' notice to the supplier and recover the cost from the supplier.



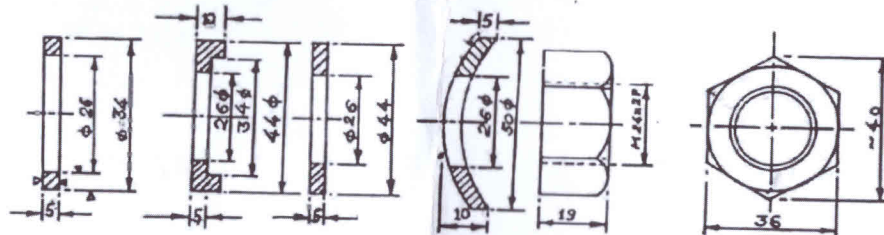
Sl. No.	Mark No.	d	L	E	C	Weight / Bolt	Qty. Required			Place of use	
							Raw Mill	Coal Mill	Cement Mill		
1.	B 476 M	M24x2	110	60	9	0.8 Kg	-	12	-	12 Nos	Retainer Ring
1-1	"	"	160	"	"	1.1 Kg	-	8	-	8 Nos	Man hole
1-2	"	"	170	"	"	1.1 Kg	8	-	8	16 Nos	Man hole
1-3	"	"	340	90	"	1.7 Kg	-	-	72	72 Nos	Double Partition
1-4	"	"	440	60	"	1.6 Kg	-	-	16	16 Nos	Out let Mill head & Inlet Mill head
1-5	"	"	460	"	"	1.7 Kg	-	-	16	16 Nos	
1-6	"	"	550	"	"	2.2 Kg	-	-	16	16 Nos	
2.	B 489 M	M24x2	290	90	9	1.3 Kg	-	48+48	-	96 Nos	
3.	B 483 M	M24x2	310	60	25	1.6 Kg	-	-	32	32 Nos	
4.	B 494 M	M24x2	200	"	43	1.5 Kg	-	-	24	24 Nos	
4-1	"	"	210	"	"	1.5 Kg	-	-	16	16 Nos	Man hole
4-2	"	"	200	80	"	1.6 Kg	8	-	32	40 Nos	
1A	B 476 M	M24x2	140	"	9	0.9 Kg	-	6	-	6	Coal Crusher

CODE Nos:-

- (1) B 480 M - M24x2x160 =
 (3) B 525 M - M24x2x220 =

- (2) B 525 M - M24x2x190 = 0815728026

Sl. No.	Mark No.	d	L	C	Weight / Bolt	Qty. Required			Place of use
						Coal Mill	Cement Mill	Total Qty.	
1.	B 480 M	M24x2	160	0	1.0 Kg	12	-	12 Nos	Danuja Ring
2.	B 525 M	M24x2	190	15	1.4 Kg	-	140	140 Nos	Danuja Ring with Retainer Ring
2-1	"	M24x2	220	15	1.6 Kg	-	4	4 Nos	



NEOPRENE RUBBER RING

CUP WASHER

PLAIN WASHER

SPRING STEEL WASHER

NUT

CODE Nos.:-

- BOLT: B 476 M - M24x2x110 =
 " " - M24x2x160 = 0815728175
 " " - M24x2x170 = 0815728168
 " " - M24x2x320/340 = 0815728302
 " " - M24x2x420 =
 " " - M24x2x440 =
 " " - M24x2x530 =
 BOLT: B 489 M - M24x2x270 =
 " B 483 M - M24x2x290 =
 " B 494 M - M24x2x180 =
 " " - M24x2x190 =
 " " - M24x2x200 = 0815728027
 " B 476 M - M24x2x140 =

Note:-

(HEAT TREATED : 28-32 RC)

- All dimensions are in mm.
- All bolts required with Ring washer & Nut & check Nut, Plain Washer (Mat+MS)

REV. MATERIAL CHANGE MS-TO FORGED EN 8 STEEL

CEMENT CORPORATION OF INDIA LTD
 RAJBAN (H.P.)

DRN	M-24x2 SPECIAL	QTY
CKD	HEAD BOLTS FOR RAW, COAL & CEMENT MILLS	WEIGHT
PSD	MAT-FORGED EN 8 STEEL	REV
APP	Scale ~	2
	DRG. No- M 2210 - 3	