

Cement Corporation of India Ltd.,
(A Govt. of India Enterprises - ISO 9001:2008 Certified)
Rajban Cement Factory,
Rajban, Tehsil:Paonta Sahib (HP)-173028
Enquiry No. MUST be quoted in all future correspondence.

By / Post

GST IN:02AACC0949BIZG

Fax:01704-292730
Phone:01704-292730,

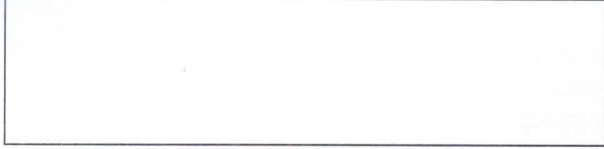
e-mail : ccimmrjo@rediffmail.com

e-mail : rajban@cementcorporation.co.in

OUR TIN NO.02040200105, CST NO.004595, ECC No. AAACC0949B-XM005, CIN-U74899DL1965GOI004322
ATTENTION:INDICATE TENDER NO., DUE DATE ON YOUR ENVELOP WITHOUT FAIL. YOUR OFFER SHOULD BE VALID FOR MINIMUM90 DAYS.

TENDER: ENQUIRY No. RCF/MM/71(24)

Date: 07.05.2024
DUE DATE:28.05.2024



Dear Sir,

Please submit your competitive offer for following as per terms and conditions given below/overleaf the tender opening which will be held at 3.30 PM on the due date in the Material Management Department:

Sl.	DESCRIPTION	Item Code	Unit	Qty.
	<u>Spindle & Valve seat for Non return valve for cement mill fluxo pump</u>			
01	Spindle Material : EN-8 As per drg.No. M2244-26	1090701167	Nos	04
02	Valve Seat Material :Bronze	1090701181	Nos	04

As per drg.No. M2244-26

/
(Two item only)

TERMS & CONDITIONS:

01General:

a Prices: FOR Destination & **Discount** offered may please be indicated.

b Freight (approx..) & **Insurance** (Generally covered under Block Insurance Scheme by CCI):

c GST applicable: Please indicate your GST/ No. &Rate of tax applicable on above items .

d Other statutory levies etc. wherever applicable.

e Packing & Forwarding: Rates of Packing charges & Forwarding charges max @2%.

f Inspection: Generally at our site.

g Payment: 100% within 30 days from date of receipt of material at our site.

h Bank Charges: In case of payment through bank, all bank charges shall be debit able to supplier's account. No interest, demurrage/wharf age will be payable by us due to delay in retirement of documents.

i Validity: You have given validity of offer should be minimum 90 days

j Delivery time: within 02 - 04 weeks

Thanking you,

Yours faithfully,
For Cement Corporation of India Ltd.,

CC: HOD (Mech) :

Indent No.44022

HOD (MM)

02. Confirm if prices are as applicable to Govt. Public – Sectors,
03. Prices shall be firm till completion of supplies.
04. Normally no price negotiation will be conducted. Tenderers are advised to quote minimum rates on lowest rates basis in their offer.
05. Please indicate clearly whether your price is based on FOR Destination basis i.e. by road up to Rajban Tehsil Paonta sahib Disstt Sirmour H.P. , the element of packing & forwarding charges should be indicated specifically otherwise, it will be taken as NIL & in case of extra, the same shall be payable as per actuals limited to 2%.
06. Please indicate your GST Regn. No. In absence of this information your firm will be treated as an unregistered firm and your prices will be loaded accordingly.
07. Our Corporation reserves the right to cancel or accept or reject any offer or tender in part or full without giving any reason or justification.
08. Our Corporation reserves the right to split the order on one or more parties.
09. The bidders do not have any claim on the award of work order / supply order.
10. Individual offer should be given for each enquiry. Clubbing of offers against more than one enquiry is not allowed. Such offers will be rejected out-rightly.
11. DELIVERY PERIOD: Quotations with vague delivery period like “Subject to prior sale” etc. are liable to be ignored. Delivery period should be realistic and specifically mentioned.

12 EARNEST MONEY DEPOSIT: Not applicable

13 SECURITY DEPOSIT: Not applicable

14 DELAYED DELIVERY CLAUSE: In case of any delay in the delivery (a) You will be charged with the Liquidated Damages @ 0.5% of the value of the un-delivered portion per fortnight or part thereof, maximum up to 5% of order value on landed cost basis. (b) Also we may resort to risk purchase as per clause 9 given below.

15 RISK PURCHASE CLAUSE: In the event of delay in supplies or failure to supply of material, CCI will have the rights to purchase the materials at the Risk and cost of supplier.

16 ARBITRATION: All disputes in case value exceeds Rs.50,000/- will be referred to Arbitration as per Indian arbitration Act. Arbitrator to be appointed by C&MD of CCI.

18 JURISDICTION: Paonta Sahib, Distt. Sirmour (HP) Civil Courts.

19 GUARANTEE & WARRANTY: The material offered against this tender has to be guaranteed for satisfactory working for a period of 18 months from the date of supply. The supplier shall warranty to replace/rectify or repair – free of cost at the factory site, the component or part of the items proved to have become unserviceable out of any of the above defects to materials with a period of 12 months from the date of use of materials or 18 months from the date of dispatch, whichever is earlier. In the event of the suppliers not complying with the above within reasonable time the Corporation will have the option to rectify/repair or replace the defective parts after giving 3 weeks’ notice to the supplier and recover the cost from the supplier.

Cement Corporation of India Ltd

TENDER ENQUIRY

(A Govt. of India Enterprises - ISO 9001:2015 Certified)

Rajban Cement Factory,

Rajban, Tehsil: Paonta Sahib (HP) 173028

Enquiry No. MUST be quoted in all future correspondence

TIN No. 02040200105, ECC No. AAACC0949B-XM005,

By : Courier / Post

GSTIN No.- 02AAACC0949B1ZG

Phone: 01704 - 292730, 222383

e-mail: mm_rjo@ccilttd.in

e-mail : ccimmrjo@rediffmail.com

CIN-U74899DL1965GOI004322,

Ref No: RCF/MM/71(24)

Dated: 07.05.2024

Due Date: 28.05.2024

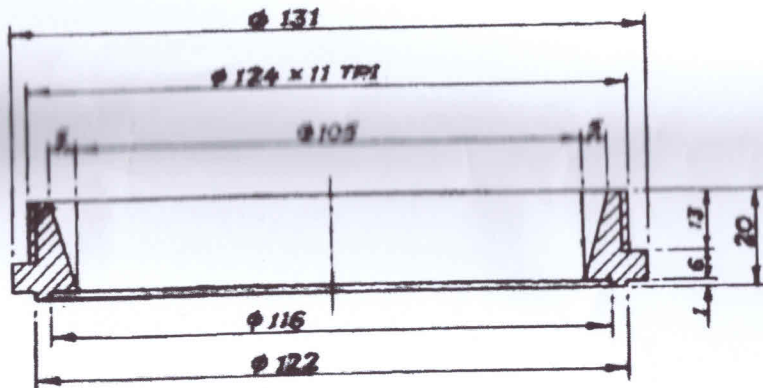
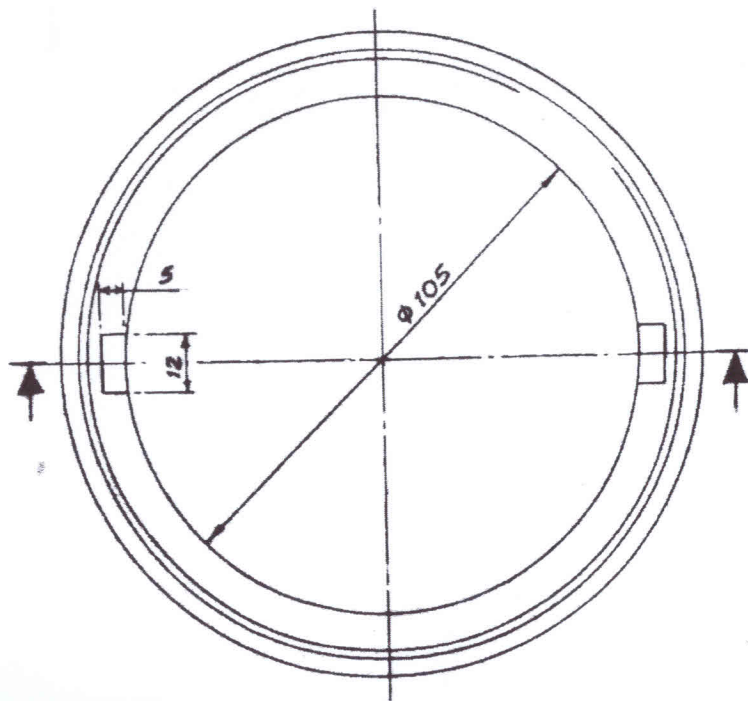
Sub: Uploading of NIT – on CCI's Public website

Requirement of Spindle & valve seat for non return valve

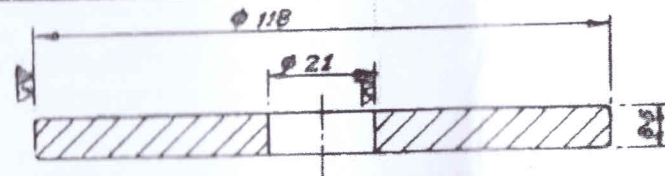
Interested parties may send their offer by mail in sealed envelope containing two separate covers inside (i) credentials & supporting documents and (ii) Commercial cum price bid which should reach us before due date. If the credential are found suitable then the commercial cum price bid shall be opened. The decision of the corporation is final.

HOD (MM)

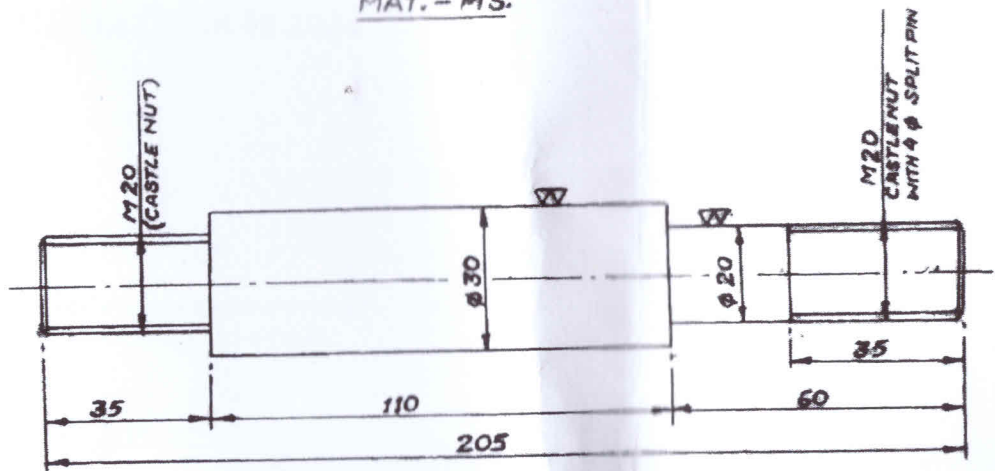
HOD (Systems)



ENo-1090701181 VALVE SEAT (SEE ALL OVER MCD)
 MAT.:- BRONZE. PART No.- SR-1093 (710209)
 (ALSO USED IN COMPRESSED AIR VALVE)



WASHER (CODE No-1090701538)
 MAT.- MS.



SPINDLE (CODE No.-1090701167)
 MAT.- EN-8
 PART No.- 943446 UNI

CEMENT CORPORATION OF INDIA LTD.			
RAJBAN(HP)			
DRN.	/	SPINDLE & VALVE SEAT FOR NON RETURN VALVE OF FLUXO PUMP	QTY. 1 No EACH
CHD.			WGT
PSD.			
APD.			
SCALE-1:1		DRG. No:- M-2244-26	